

RDNT 500 pressure transmitter

Overview

- for absolute, relative or differential pressure
- Typ: **Voltage output**
- Pressure range from 20 to 10000 hPa
- Temperature compensation 0 to 70°C (32 to 158°F)
- for dry, non-aggressive gases
- inkl. reverse polarity protection
- for DIN 35 mm rail mounting
- Individual adjustment possible
- **other pressure ranges on request**

Application

- barometrical applications
- pressure monitoring
- heating - ventilation - air conditioning
- medical engineering
- process automation
- safety technology
- industrial process and control



Spezifikation ¹

Performance		Min.	Typ.	Max.	Note
Pressure Range	Typ A (dif./rel.)	20		10000	hPa ^{2 3}
	Typ B (abs.)			1000	hPa ³
Pressure overload	Code 003 / 01			345	hPa
	Code 05			689	hPa
	Code 15			4134	hPa
	Code 30			6201	hPa
	Code 100 / 150			13780	hPa
Linearity BSL			0,1	0.5	% FS ⁵

Environment		Min.	Typ.	Max.	Note
Compensated range		0		+70	°C
Operating temperature range		-25		+85	°C
Storage temperature range		-40		+125	°C
Temperature drift Offset			0.2	1.0	% FS ⁶
Temperature drift Fullscale			0.5	1.0	% FS ⁶
Dependence supply Voltage			0.01		% FS/V

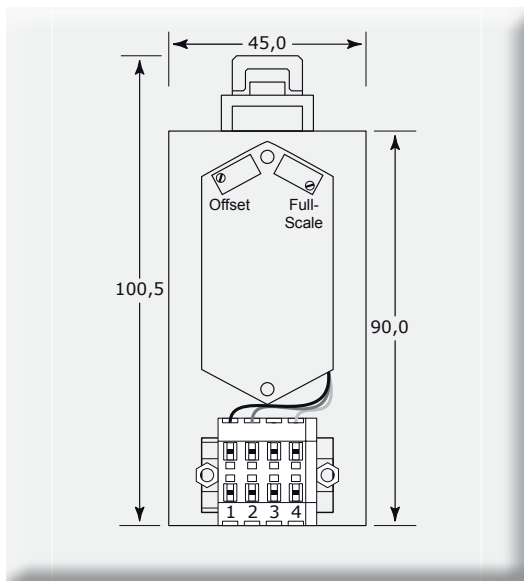
RDNT 500 pressure transmitter

Electronics		Min.	Typ.	Max.	Note
Supply voltage		8	12	30	V ⁴
Output	Option A	0.5		4.5	V
	Option B	1		6	V
	Option C	0.1		10.1	V ⁴
	Option D	0.1		5.1	V
	Option E	1		5	V
Current output				10	mA
Current consumption		0.8	1.0	1.2	mA
Adjustment Offset				±50	mV ^{3 4}
Adjustment Offset	Option C			±100	mV ⁴
Adjustment Fullscale				±50	mV ⁴
Adjustment Fullscale	Option C			±100	mV ⁴
Reverse polarity protection			Yes		

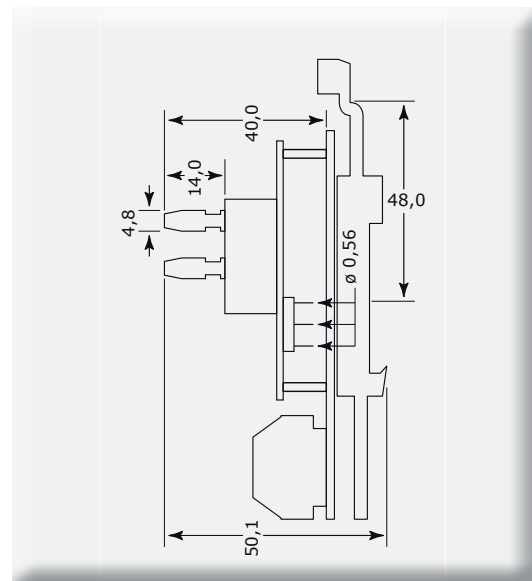
Mechanics		Note		
Pressure connections		see picture		
Electrical connections		see picture		
Wight			0.056	kg
Size (L x B x H)		100.5	45.0	50.1
				cm

- 1 Specifications are valid for standard pressure ranges, at Vs =12 V; T = 25 °C and RL = 100 kOhm. Pressure on Port B, for vacuum & absolute pressure on Port A
- 2 Extended pressure range on request from 0 to fullscale
- 3 Please specify type of pressure for adjustment: Vacuum, Overpressure or Negative- and Overpressure
- 4 If Output is from 0.1 - 10.1 V minimum supply voltage is 12 V and adjustment tolerance ± 100 mV
- 5 BSL = Best Straight Line
- 6 Failure relative to 25 °C

Dimensions



- 1 Ground
- 2 Supply
- 4 Ground
- 3 Output



all Dimensions in mm

RDNT 500 pressure transmitter

Orderinformation

(Please use the information in the table below to generate your product code.)

Example Code: Series **RDNT** **50** **1** - **PC 01** - **D**



Series	No	Output signal	Pressure range	Pressure-type	Option
RDNT	50	1 - 1.0 ... 6.0 V (-) 2 - 1.0 ... 6.0 V (+) 3 - 3.5 ± 2.5 V 4 - 0.5 ... 4.5 V 5 - 0.1 ... 5.1 V 6 - 1.0 ... 5.0 V 7 - 0.1 ... 10.1 V	Please use code shown in the table below	A - Absolute D - Differential R - Relative B - Bidirectional	K - Customized

Custom options available upon request!

- (+) Measurement overpressure
- (-) Measurement vacuum
- (±) Measurement positive and negative pressure

- 1 We give one year warranty on this series.
- 2 For media compatibility, suitability, and proper installation of the product, the buyer is responsible

Pressure range							
Unit	PSI	PSI	PSI	PSI	PSI	PSI	PSI
Pressure	0,3	1	5	15	30	100	150
Code	003	01	05	15	30	100	150
	D-R	D-R	D-R	A-D-R	D-R	D-R	D-R
<i>in hPa</i>	<i>20</i>	<i>68</i>	<i>340</i>	<i>1020</i>	<i>2040</i>	<i>6080</i>	<i>10200</i>

