

RDNT 508 pressure transmitter

Overview

- for absolute, relative or differential pressure
- Typ: **Current output**
- Pressure range from 20 to 10000 hPa
- Temperature compensation 0 to 70°C (32 to 158°F)
- for dry, non-aggressive gases
- inkl. reverse polarity protection
- for DIN 35 mm rail mounting
- individual adjustment possible
- **other pressure ranges on request**

Application

- barometrical applications
- pressure monitoring
- heating - ventilation - air conditioning
- medical engineering
- process automation
- safety technology
- industrial process and control



Spezifikation ¹

Performance		Min.	Typ.	Max.	Note
Pressure Range	Typ A (dif./rel.)	20		10000	hPa ^{2 3}
	Typ B (abs.)			1000	hPa ³
Pressure overload	Code 003 / 01			345	hPa
	Code 05			689	hPa
	Code 15			4134	hPa
	Code 30			6201	hPa
	Code 100 / 150			13780	hPa
Linearity BSL			0,1	0.5	% FS ⁴

Environment	Min.	Typ.	Max.	Note
Compensated range	0		+70	°C
Operating temperature range	-25		+85	°C
Storage temperature range	-40		+125	°C
Temperature drift Offset		0.2	1.0	% FS ⁵
Temperature drift Fullscale		0.5	1.0	% FS ⁵
Dependence supply Voltage		0.01		% FS/V

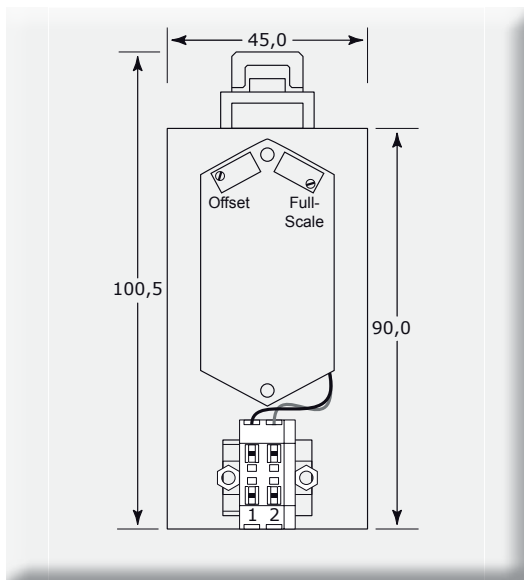
RDNT 508 pressure transmitter

Electronics	Min.	Typ.	Max.	Note
Supply voltage	7	12	36	V
Output	4		20	mA
Load resistance	0		1450	Ohm
Dependence from R _L		0.1	0.5	% FS
Adjustment Offset	-0.1	0	+0.1	mA ³
Adjustment Fullscale	-0.1	0	+0.1	mA
Reverse polarity protection			Yes	

Mechanics				Note
Pressure connections	see picture			
Electrical connections	see picture			
Wight			0.016	kg
Size (L x B x H)	100.5	45.0	50.1	cm

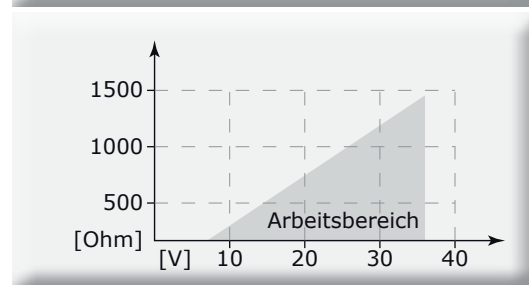
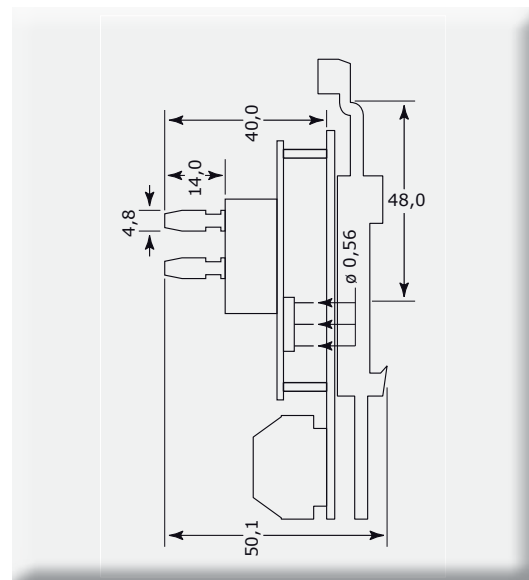
- Specifications are valid for standard pressure ranges, at V_s = 12 V; T = 25 °C and R_L = 100 kOhm. Pressure on Port B, for vacuum & absolute pressure on Port A
- Extended pressure range on request from 0 to fullscale
- Please specify type of pressure for adjustment: Vacuum, Overpressure or Negative- and Overpressure
- BSL = Best Straight Line
- Failure relative to 25 °C

Dimensions



1 Supply
2 Output

all Dimensions in mm



RDNT 508 pressure transmitter

Orderinformation

(Please use the information in the table below to generate your product code.)

Example Code: Series **RDNT** **50** **8** - **PC 05** - **R**



Series	No	Output signal	Pressure range	Pressure-type	Option
RDNT	50	8 -4,0 ... 20,0 mA	Please use code shown in the table below	A - Absolute	K - Customized
				D - Differential	
				R - Relative	
				B - Bidirectionally	

Custom options available upon request!

- 1 We give one year warranty on this series.
- 2 For media compatibility, suitability, and proper installation of the product, the buyer is responsible

Pressure range							
Unit	PSI	PSI	PSI	PSI	PSI	PSI	PSI
Pressure	0,3	1	5	15	30	100	150
Code	003	01	05	15	30	100	150
	D-R	D-R	D-R	A-D-R	D-R	D-R	D-R
<i>in hPa</i>	<i>20</i>	<i>68</i>	<i>340</i>	<i>1020</i>	<i>2040</i>	<i>6080</i>	<i>10200</i>

